

Dixie-Narco®



Lawrence Street
Ranson, West Virginia 25438

(304) 725-3481
(800) 624-0553
258

Service Bulletin # _____ Date: September 23, 1983 Revised: October 10, 1983

MODELS: DNCB 630/360-5 & 6
DNCB 630T/360-5 & 6

SUBJECT: Replacement Refrigeration Systems.
Model 600
Model 600T

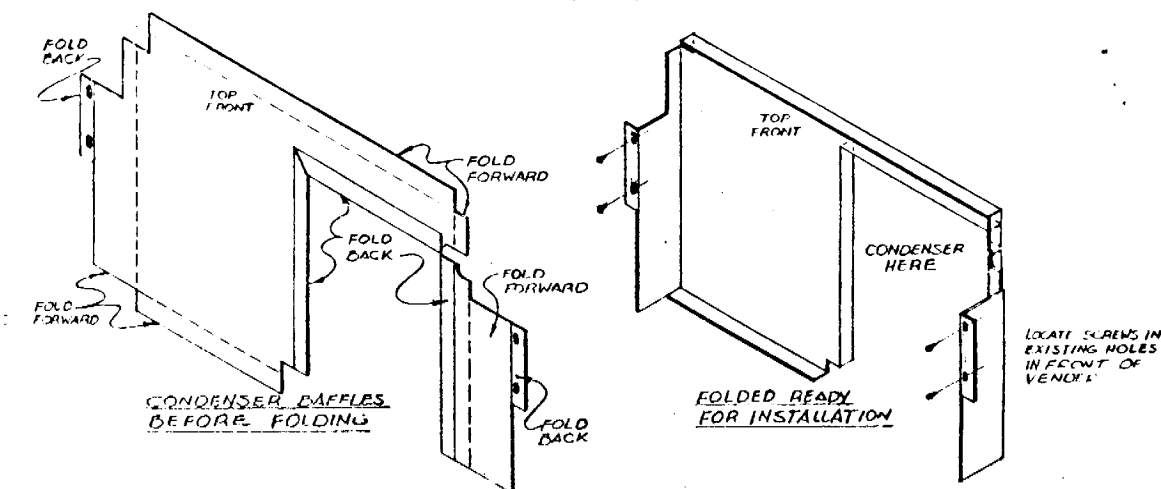
BEGINNING SERIAL NUMBER: 0001 2569

REASON: On production model venders, it was necessary to move the system approximately 1 inch to the left to provide more clearance.

INSTALLATION: When installation of the replacement 1/2 HP refrigeration system is made it will be necessary to relocate the condensate pan approximately 1 inch to the left.

Since this brought about a change in the condenser baffles, new baffles which must be installed are included with the system.

1	C905,800,480.01	Baffle Right Side
1	D905,800,440.11	Baffle Left Side



GENERAL

- The use of baffles was initiated primarily to attempt to cope with severe operating conditions where venders are pushed against the wall. All DNCB Model Venders have baffles already installed on them.
 - The installation of Baffles around the condenser will result in cooler compressor operation and thereby prolong the life of the compressor.
 - We strongly suggest that baffles be installed when a refrigeration system is changed out.
 - Even with baffles in position, for best operating conditions, the rear of the vender should be at least 4" from the wall.
- The method of folding of the baffles is typical for the 2 widths of Dixie-Narco Venders i.e., 28 5/16" and 37 1/16".
- Install with screws provided.